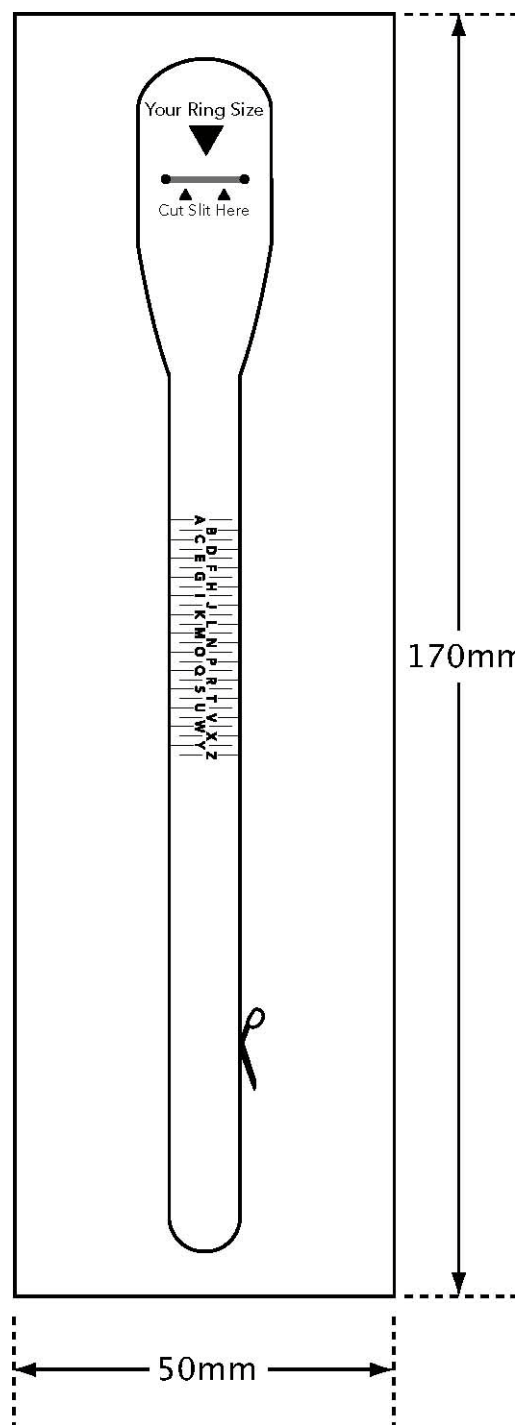


# Ring Belt Sizer



How to measure your ring size:

1. Print out this document. When printing ensure that you do not select the option to fit to page or to shrink the page.
2. Measure the outer box and ensure that it is 170mm by 50mm.
3. Cut out the sizer and make a slit where shown.
4. Push the end through the slit and slip it over your finger
5. Adjust the sizer so that it sits comfortably around your finger.
6. Check that you can remove the sizer over your knuckle without difficulty.
7. Read off the letter indicated by the arrow and that is your size.

Please remember:

1. Ensure that the sizer can slide on and off your finger comfortably.
2. Do not pull on the sizer tightly as this will give you the wrong size.

Online Shopping:

1. Visit [www.giftsofsilveronline.com](http://www.giftsofsilveronline.com) to purchase a wide selection of rings.
2. Gifts of Silver will refund or exchange your ring free of charge if you get the incorrect size.